

G10

PERFECTION WHEN YOU NEED IT



GAGGIA
MILANO

G10

**PERFECTION
WHEN YOU
NEED IT**



FEATURES AND BENEFITS

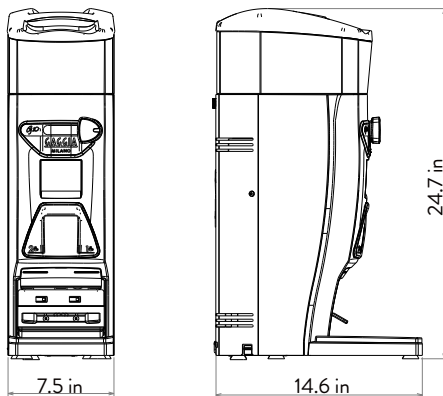
- Long life steel grinding blades (2646 lb)
- Precise grinding adjustment (0.002 mm)
- 2.6 lb hopper
- Safety microswitch
- Easy to clean
- Double or single doses

DESIGN AND CUSTOMIZATION

- 4.3" touch screen
- Logo and language customization
- Dose counter programming
- Parameter backup
- Cleaning cycle and blades change warning
- USB port for uploads, updates
- Elegant aluminum body

MULTIPLE GRINDING OPTIONS

- *Patented Dose on demand: pre-grinds next dose*
- *Grind on demand: each dose ground before service*
- *Manual dose: get full control over dosage*



TECHNICAL FEATURES

Net weight	35.0 lb
Hopper capacity	2.6 lb
Grinding blades (Ø)	64 mm
Voltage	120 V / 60 Hz
Power	525 W
Revolutions	1250 rpm
Grinding output	2-3 g/s

COLORS

White / Black



Gaggia is a trademark licensed by Gaggia S.p.A.

GAGGIA
MILANO

EVOKA
GROUP

EVOKA
GROUP

Evoca North America
2355, avenue Dalton, Québec (Québec) G1P 3S3, Canada
T: 800-561-6162 - F: 800-463-2739
www.evocagroupna.com

Evoca Group Headquarters
Via Roma, 24, 24030 Valbrembo BG Italy
T: +39 035606111 - F: +39 095606560
www.evocagroup.com

